

FLTK01

Datasheet



LiFePO₄

NON-SPILLABLE

The new Lithium range is designed to offer the ultimate riding experience.

With ultra-light weight conception and ready to use, this LiFePO₄ range will ensure faster acceleration, extreme starting performance, very low self-discharge and extreme cycle life.

Fulbat Lithium range is ideal for the most demanding riders.

FEATURES

- Ready to use & Maintenance Free
- Ultra lightweight compare to lead acid battery
- Very high cold cranking performance
- Very fast recharge
- Multi-positional fitment
- Integrated LCD battery tester
- Very low self-discharge

BATTERY REPLACEMENT

- KTM OE replacement

TERMINAL

Front



Side



Top



3D

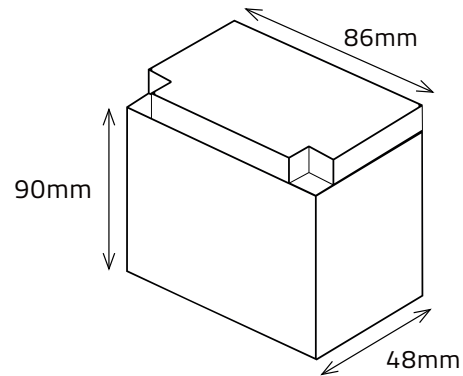


SPECIFICATIONS

Voltage	Capacity	CCA (EN)
12.8V	2.0Ah	140A
Energy	Charging current std.	Charging current max
25.6Wh	1.0A	2.0A

DIMENSIONS & WEIGHT

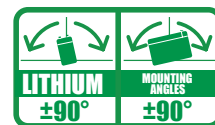
Length	86±2mm
Width	48±2mm
Total Height	90±2mm
Gross weight	0.36kg



POLARITY



MOUNTING ANGLES



APPLICATIONS



Motorcycle



Scooter



ATV



SSV & UTV



Snowmobile



Watercraft