

SPECIFICATION

VOLTAGE	CAPACITY (10h)
12.8v	2.4Ah
CCA (EN)	ENERGY
170A	30.72Wh
CHARGING CURRENT STD.	CHARGING CURRENT MAX.
1.2A	4.8A

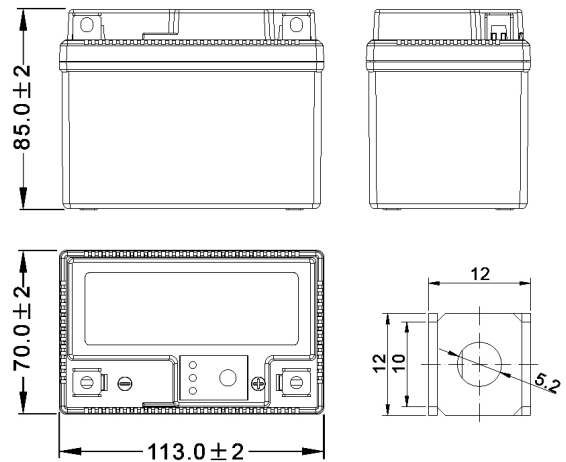
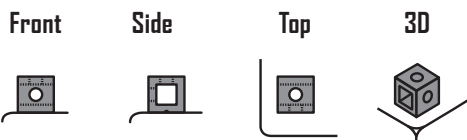
DIMENSIONS & WEIGHT

LENGTH	113±2mm
WIDTH	70±2mm
TOTAL HEIGHT	85±2mm
GROSS WEIGHT	0.47kg

NON-SPILLABLE

LiFePO4

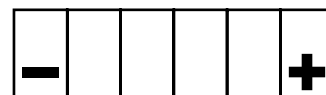
TERMINAL



FEATURES

- EQUIVALENT LEAD ACID BATTERY TYPES: FTX7L-BS
- OUTSTANDING SAFETY FEATURES
- ULTRA LIGHT WEIGHT
- MAINTENANCE FREE AND READY TO USE
- FAST CHARGING CAPABILITIES
- HIGH COLD CRANKING PERFORMANCE
- LONG SHELF-LIFE
- VERY LOW SELF-DISCHARGE
- ENVIRONMENTAL FRIENDLY
- COVER MOST OF EXISTING PARC APPLICATION
- EFFICIENT CHARGING INDICATOR

POLARITY



MOUNTING ANGLES

