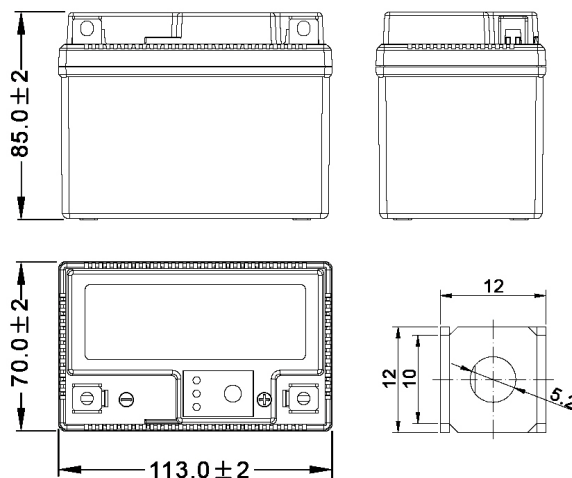


## SPECIFICATION

|                       |                       |
|-----------------------|-----------------------|
| VOLTAGE               | CAPACITY (10h)        |
| <b>12.8v</b>          | <b>1.6Ah</b>          |
| CCA (EN)              | ENERGY                |
| <b>110A</b>           | <b>20.48Wh</b>        |
| CHARGING CURRENT STD. | CHARGING CURRENT MAX. |
| <b>0.8A</b>           | <b>3.2A</b>           |

## DIMENSIONS & WEIGHT

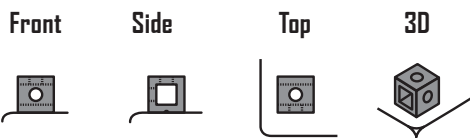
|              |         |
|--------------|---------|
| LENGTH       | 130±2mm |
| WIDTH        | 70±2mm  |
| TOTAL HEIGHT | 85±2mm  |
| GROSS WEIGHT | 0.36kg  |



**NON-SPILLABLE**

**LiFePO4**

## TERMINAL



## FEATURES

- EQUIVALENT LEAD ACID BATTERY TYPES: FTX4L-BS; FTX5L-BS; SLA12-4; FTZ5S
- OUTSTANDING SAFETY FEATURES
- ULTRA LIGHT WEIGHT
- MAINTENANCE FREE AND READY TO USE
- FAST CHARGING CAPABILITIES
- HIGH COLD CRANKING PERFORMANCE
- LONG SHELF-LIFE
- VERY LOW SELF-DISCHARGE
- ENVIRONMENTAL FRIENDLY
- COVER MOST OF EXISTING PARC APPLICATION
- EFFICIENT CHARGING INDICATOR

## POLARITY



## MOUNTING ANGLES

