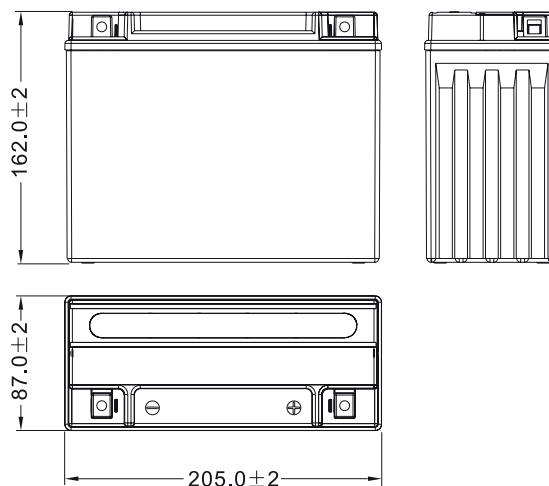


## SPECIFICATION

VOLTAGE	CAPACITY (20h)
<b>12v</b>	<b>22.1Ah</b>
CCA (EN)	CAPACITY (10h)
<b>350A</b>	<b>21.0Ah</b>

## DIMENSIONS & WEIGHT

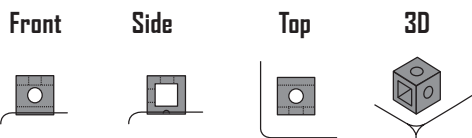
LENGTH	205±2mm
WIDTH	87±2mm
TOTAL HEIGHT	162±2mm
GROSS WEIGHT	7.0kg



**NON-SPILLABLE**

**GEL**

## TERMINAL



## FEATURES

- READY TO USE
- WET CHARGED FACTORY ACTIVATED
- BATTERY VRLA (VALVE REGULATED LEAD ACID)
- NON SPILLABLE: EASY TO SHIP
- 100% MAINTENANCE FREE
- DEDICATED HARLEY-DAVIDSON TERMINALS FOR FITHO
- MINIMIZED PLATE SULFATION
- SUITABLE FOR COLD WEATHER
- NO ACID HANDLING
- EASY TO INSTALL
- HIGHER LIFE CYCLE

## POLARITY



## MOUNTING ANGLES

