

FLTX7A/9/12/14 FLTZ10S/12S/14S

Datasheet



LiFePO₄
NON-SPILLABLE



The new Lithium range is designed to offer the ultimate riding experience.

Ready to use and with ultra-light weight conception, this LiFePO₄ range will ensure extreme starting performance, very low self-discharge and extreme cycle life. Thanks to the Battery Management System integrated, these batteries offer a very safe solution, ideal for the most demanding riders.

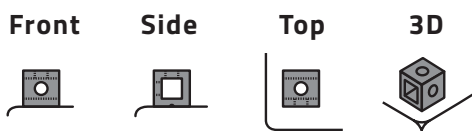
FEATURES

- Ready to use & Maintenance Free
- Ultra lightweight compare to lead acid battery
- Very high cold cranking performance
- Ultra safe thanks to the integrated BMS
- Very fast recharge
- Multi-positional fitment
- Integrated LCD battery tester
- Very low self-discharge

BATTERY REPLACEMENT

- FTX7A-BS
- FTX9-BS
- FT12A-BS
- FTX12-BS
- FTX14-BS
- FTZ10S
- FTZ12S
- FTZ14S

TERMINAL



SPECIFICATIONS

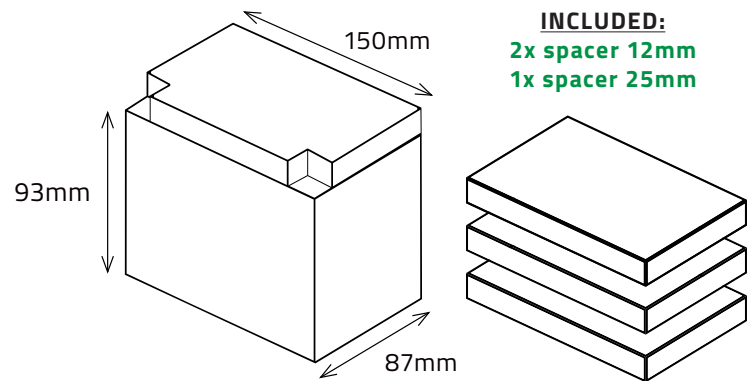
Voltage	Capacity	CCA (EN)
12.8V	5.0Ah	300A
Energy	Charging current std.	Charging current max
64.0Wh	2.5A	5.0A

BMS FUNCTION:

- Over discharge protection
- Over charge protection
- Cell equalization

DIMENSIONS & WEIGHT

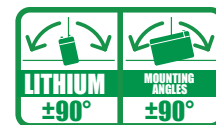
Length	150±2mm
Width	87±2mm
Total Height	93±2mm
Gross weight	1.10kg



POLARITY



MOUNTING ANGLES



APPLICATIONS

