

U1-12

Datasheet

FULBAT™

LAWN & GARDEN BATTERY



SPECIFICATIONS

Voltage	Capacity	CCA
12V	32.0Ah (20hr)	400A

DIMENSIONS & WEIGHT

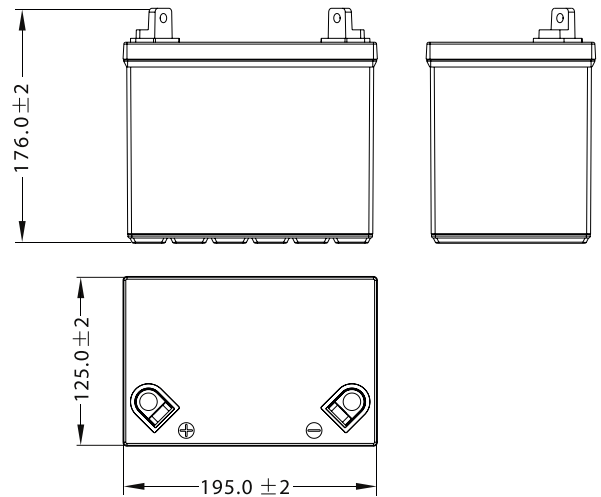
Length	195±2mm
Width	125±2mm
Total Height	176±2mm
Gross weight	6.70kg

SLA

NON-SPILLABLE

SLA battery range is designed to offer maximum performance and safety! Ready to use, the Sealed Lead Acid (SLA) battery will not require any acid handling, initial preparation or maintenance.

The non-spillable design (VRLA) linked to its high performance make it the ideal battery for all ride-on mowers.



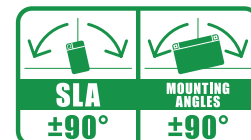
FEATURES

- AGM technology
- Ready to use
- Factory activated
- VRLA battery
- Non spillable: easy to ship
- No acid handling
- Easy to install and maintenance free
- Higher life cycle
- Minimized plate sulfation
- Suitable for cold weather

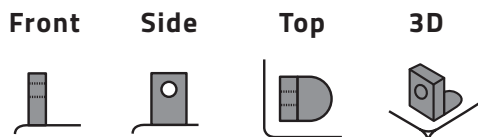
POLARITY



MOUNTING ANGLES



TERMINAL



APPLICATIONS



Lawn & garden