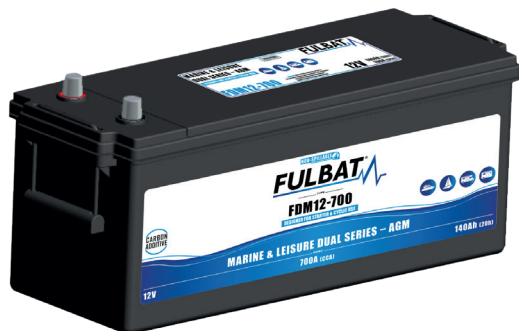


FDM12-700

Datasheet

FULBAT[®]
DUAL PURPOSE



AGM

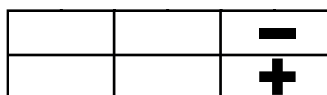
CARBON ADDITIVE

FDM Series are Dual Purpose AGM batteries designed to offer both superior starting and cycling performance for marine & leisure applications. Featuring a spill-proof & maintenance-free design, these batteries boast low self-discharge and an extended service life, resisting cycles with high durability. Infused with carbon additives, they function effectively even without reaching full charge. This range guarantees enhanced performances and exceptional reliability, catering to the rigorous demands of popular recreational boats and caravans.

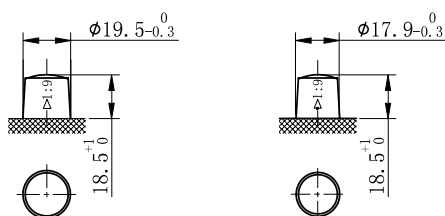
FEATURES

- Dual Purpose AGM technology (VRLA)
- Non spillable and maintenance free
- Superior starting & cycling performance
- Carbon additives to perform in Partial State of Charge (PSOC) and to increase charge acceptance
- High vibration resistance
- Low self-discharge rate for longer shelf life

POLARITY



TERMINAL



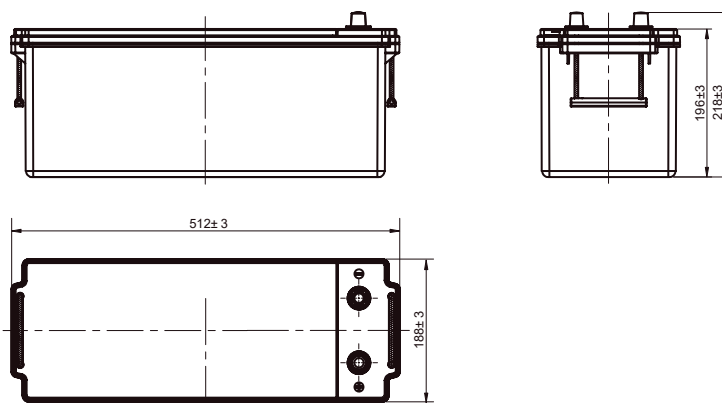
SPECIFICATIONS

Voltage	Capacity	Reserve capacity
12V	140Ah (20hr)	240min
	CCA (-18°C)	
	700A	

Hold-down	B0
Case	Black-PP Material
Cover	Black-PP Material
Handle	Black-PP Material

DIMENSIONS & WEIGHT

Length	512±2mm
Width	188±2mm
Total Height	218±2mm
Gross weight	42.0kg



APPLICATIONS



Leisure & Marine