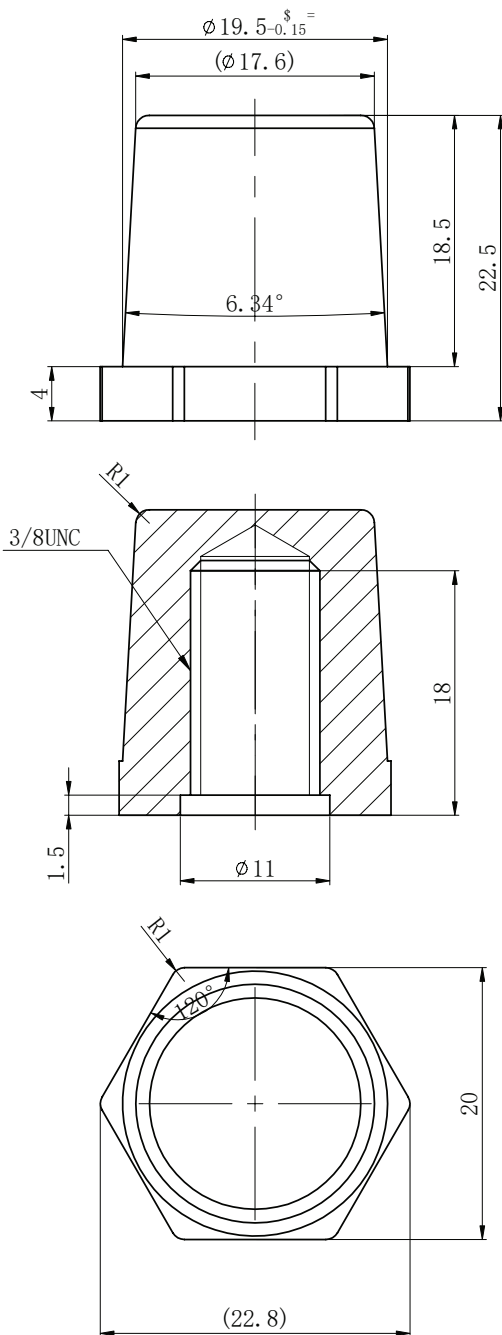


T11 to SAE Adaptor

Datasheet



POSITIVE TERMINAL (mm)



NEGATIVE TERMINAL (mm)

